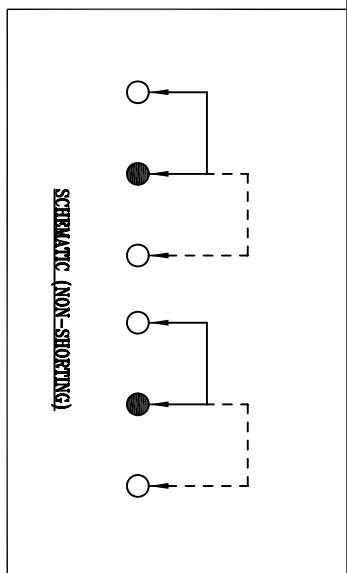
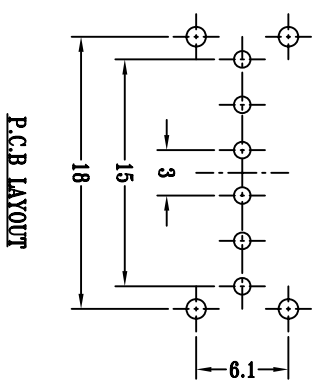
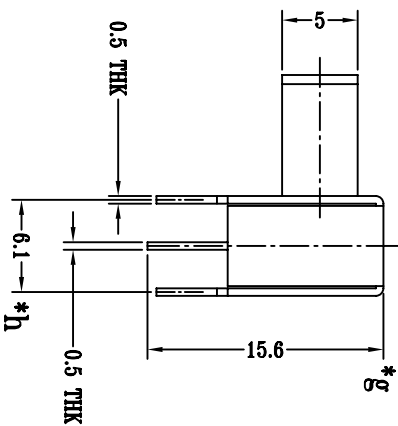
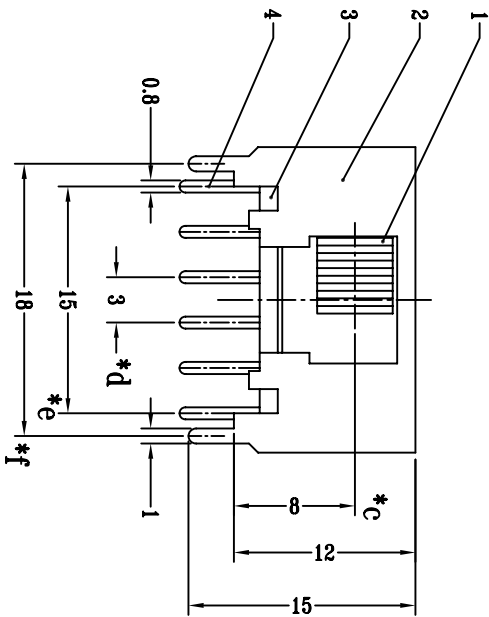
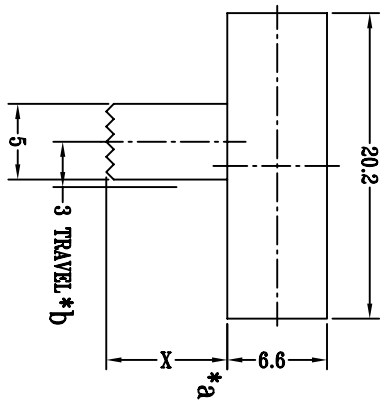


CAD FILE:



8																			
7	STEEL BALL	STEEL	1	NATURAL	TOLERANCE UNLESS SPECIFIED		SHENZHEN XIEJIA ELECTRONICS CO.,LTD.												
6	SPRING	STEEL WIRE	1	TEMPER	WITHIN: 1.5±0.1mm		ISSUE	DATE	UNIT : MM	SCALE: 2:1									
5	CONTACT CLIP	PBS STRIP	2	Ag PLATED	OVER : 1.5±0.2mm				DESCRIPTIONS		APPD.								
4	TERMINAL	BRASS STRIP	6	Ag PLATED OVER Ni PLATED	TITLE : HORIZONTAL SLIDE SWITCH														
3	BASE	PHENOLIC RESIN	1	BLACK	MODEL: SK-22F06														
2	KNOB	POM	1	BLACK	ALL MATERIALS MUST BE COMPLIANT TO ROHS														
1	FRAME	STEEL STRIP	1	Ni PLATED			DMN.	ZHOUYU	2003-4-29	CHK'D	FANGYING	2003-4-29	APPD.	KANGXINAN	2003-4-29				
NO.	PART NAME	MATERIAL	QTY	FINISHING															

注:带\*表示关键尺寸(8个)